



LEHMANN

LEHMANN Locks

Installation

Instructions

Market Partner

MINGMEN

名门静音门锁
全国销量领先



LEHMANN is a family owned and managed company founded in 1962 with headquarters in Minden, Germany. LEHMANN is the German market leader for furniture locking systems as well as electronic locking systems, who export to more than 35 countries worldwide from four German manufacturing locations. For LEHMANN, the term “Made in Germany” is an aspiration, an obligation, and a guarantee for quality, performance, and service.





LEHMANN Lock Solutions

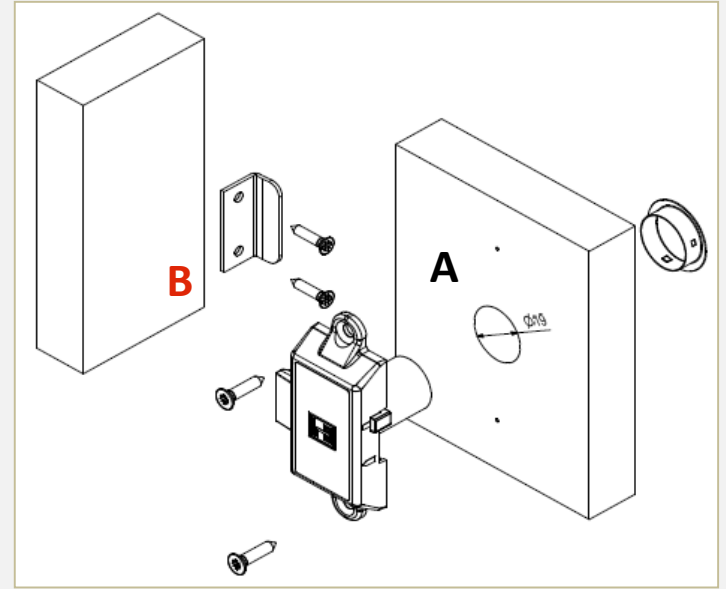
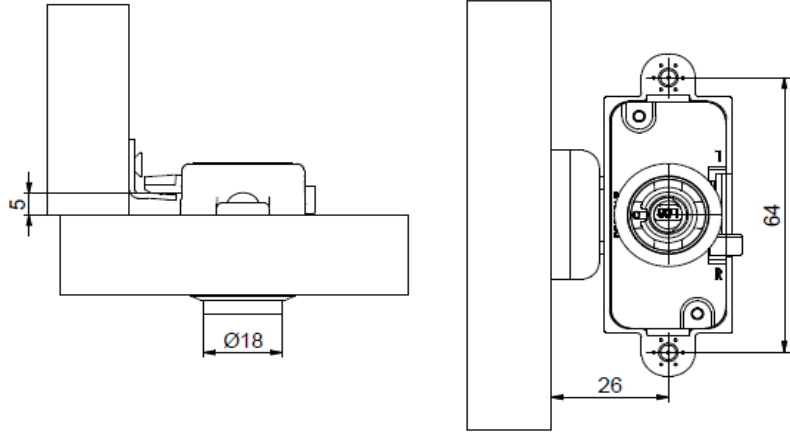
LEHMANN Locks Installation Instructions

VCS 18.2 550 Set (Key Lock Body)

■ 德国制造
■ Made in
■ Germany

 雷曼 **LEHMANN**
LOCKING SYSTEMS WITH ADDED VALUE

VCS 18.2 550 Set (Key Lock Body)

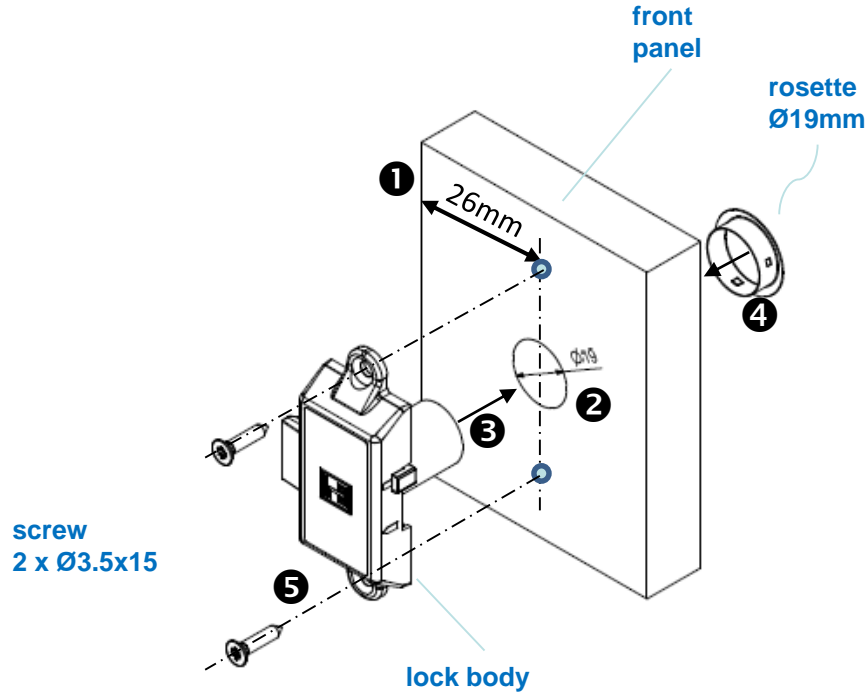


A: Lock assembly (front panel)

B: Fixation of striker plate (side panel)

德国制造
Made in
Germany

VCS 18.2 550 Set (Key Lock Body)

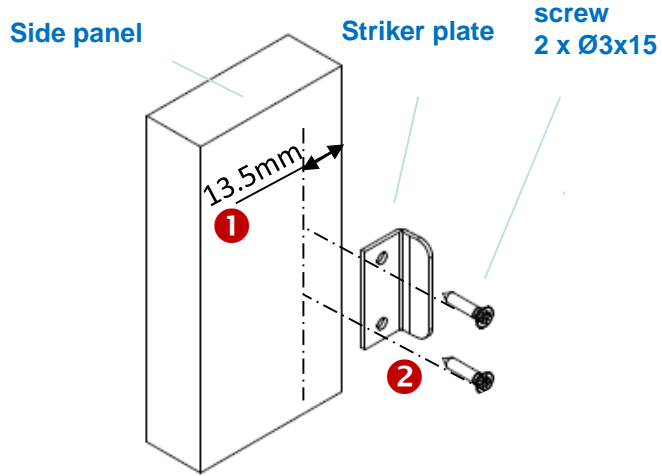


A: Lock assembly (front panel)

- 1 Mark lock center position (26mm)
- 2 Drill Ø 19mm
- 3 Press in "lock body"
- 4 Slip "rosette" on cylinder
- 5 Fix "lock body"

德国制造
Made in
Germany

VCS 18.2 550 Set (Key Lock Body)

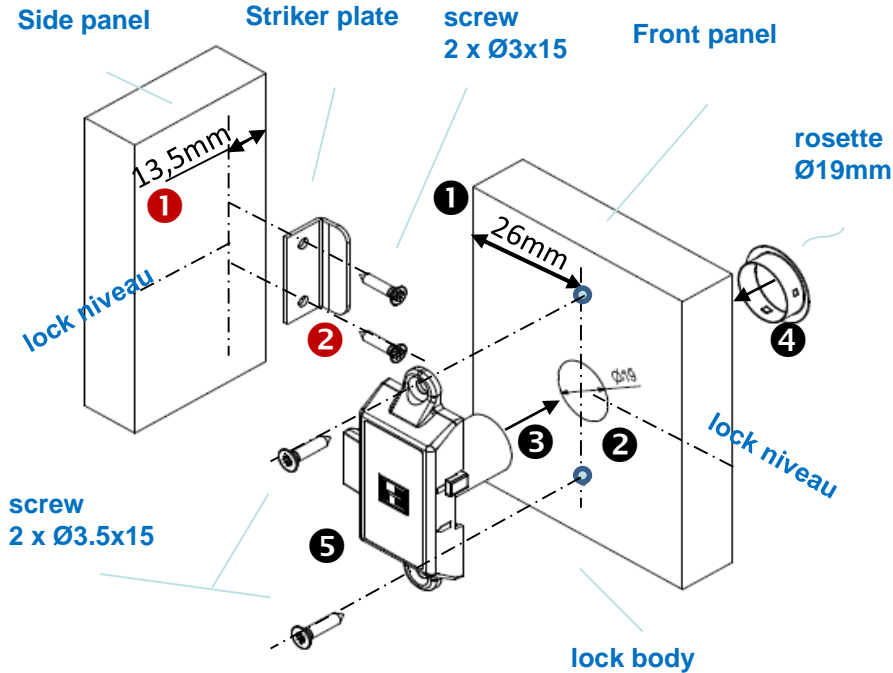


B: Fixation of striker plate (side panel)

- 1 Mark striker plate position (5mm)
- 2 Fix "striker plate"

德国制造
Made in
Germany

VCS 18.2 550 Set (Key Lock Body)



A: Lock assembly (front panel)

- 1 Mark lock center position (26mm)
- 2 Drill Ø 19mm
- 3 Press in "lock body"
- 4 Slip "rosette" on cylinder
- 5 Fix "lock body"

B: Fixation of striker plate (side panel)

- 1 Mark striker plate position (5mm)
- 2 Fix "striker plate"

德国制造
Made in
Germany



QUALITÄT. Quality Assurance & After Sales Service

LEHMANN locks are well-known around the world and in Asia-Pacific the multilingual staff of our partner network, Hong Kong and Shanghai support offices speak your language and are dedicated to serving you.

1 Headquarters

4 Production sites

85 Countries we deliver to and over

100 Market partners and dealers worldwide (CHINA RETAIL MARKET – MINGMEN)